



Pos.	Description	Reference	Pos.	Description	Reference
1	Pressure adjusting plus assy (screw driver slot)	991495	7	G 1/4 plastic plug	3729744TR
	Pressure adjusting plus assy (hex. socket head)	991496		G 1/8 plastic plug	3773569TR
2	AN pressure regulator kit 2 - 12 bars	991494	8	Filter	<i>Bulletin n°21</i>
	AN pressure regulator kit 7 - 14 bars	991490	9	Cover gasket	<i>Bulletin n°58</i>
	AN pressure regulator kit 10 - 18 bars	991491	10.1	«Cover gaskets + filter + O-ring» kit ("low" cover)	991533
	AN pressure regulator kit 7 - 25 bars	991425	10.2	«Cover gaskets + filter + O-ring» kit ("high" cover)	991510
	<i>For safety reason, this kit is not available for AS pumps.</i>		11	«Cover + cover gasket + filter» kit	<i>Bulletin n°34</i>
3	Shaft seal kit (lip seal + protective cone)	991552	12	Pressure gauge port or vacuum gauge port screw	3713843
4	By-pass plug	3779071	13	O-ring	3773590
5	G 1/4 gasket	3779201	14	AS coil 220-240V, 50/60 Hz	3713871SAV
	G 1/8 gasket	3779261		AS coil 110-120V, 50/60 Hz	3713824
6	G 1/4 steel plug	3779191		AS coil 24V, 50/60 Hz	3713823
	G 1/8 steel plug (without washer)	3779835	15	AS tube assy	<i>Bulletin n°20</i>
			16	AS solenoid kit	<i>Bulletin n°20</i>
			17	Conversion kit AS→AN	991400



Pos.	Bechreibung	Teilnummer	Pos.	Bechreibung	Teilnummer
1	Druckeinstellungsschraubensatz (Schlitzschr.)	991495	7	G 1/4 Plastikstopfen	3729744TR
	Druckeinstellungsschraubensatz (Sechskantschr.)	991496		G 1/8 Plastikstopfen	3773569TR
2	AN Druckregelsatz 2 - 12 bar	991494	8	Sieb	<i>Bulletin Nr.21</i>
	AN Druckregelsatz 7 - 14 bar	991490	9	Deckeldichtung	<i>Bulletin Nr.58</i>
	AN Druckregelsatz 10 - 18 bar	991491	10.1	“Deckeldichtungen + Sieb + O-Ring” Satz ("Niedriger" Deckel)	991533
	AN Druckregelsatz 7 - 25 bar	991425	10.2	“Deckeldichtungen + Sieb + O-Ring” Satz ("Hoher" Deckel)	991510
	<i>Aus sicherheitsgründen ist dieser Satz nicht erhältlich für AS-Pumpen.</i>		11	“Deckel + Deckeldichtung + Sieb” Satz	<i>Bulletin Nr.34</i>
3	Wellendichtungssatz (Lippendichtung + Schutzkonus)	991552	12	Druck- oder Vakuummeteranschlußschraube	3713843
4	Umleitstopfen	3779071	13	O-ring	3773590
5	G 1/4 Dichtung	3779201	14	AS Spule 220-240V, 50/60 Hz	3713871SAV
	G 1/8 Dichtung	3779261		AS Spule 110-120V, 50/60 Hz	3713824
6	G 1/4 Stahlstopfen	3779191		AS Spule 24V, 50/60 Hz	3713823
	G 1/8 Stahlstopfen (ohne Scheibe)	3779835	15	AS Magnetventilkernsatz	<i>Bulletin Nr.20</i>
			16	AS Magnetventilsatz	<i>Bulletin Nr.20</i>
			17	Umbausatz AS→AN	991400



Pos.	Désignation	Référence	Pos.	Désignation	Référence
1	Ens. “bouchon de réglage pression, à fente”	991495	8	Filtre	<i>Bulletin n°21</i>
	Ens. “bouchon de réglage pression, hexagonal”	991496	9	Joint de couvercle	<i>Bulletin n°58</i>
2	Kit régulateur AN : 2 - 12 bars	991494	10.1	Ens. «joints de couvercle + filtre + joint torique» (couvercle "bas")	991533
	Kit régulateur AN : 7 - 14 bars	991490	10.2	Ens. «joints de couvercle + filtre + joint torique» (couvercle "haut")	991510
	Kit régulateur AN : 10 - 18 bars	991491	11	Ens. «couv. + joint de couv. + filtre»	<i>Bulletin n°34</i>
	Kit régulateur AN : 7 - 25 bars	991425	12	Vis de prise de pression ou de vide	3713843
	<i>Pour des raisons de sécurité ce kit n'est pas disponible pour les pompes AS.</i>		13	Joint torique	3773590
3	Ensemble “joint à lèvres” (joint + cône de montage)	991552	14	Bobine AS 220-240V, 50/60 Hz	3713871SAV
4	Bouchon by-pass	3779071		Bobine AS 110-120V, 50/60 Hz	3713824
5	Rondelle G 1/4	3779201		Bobine AS 24V, 50/60 Hz	3713823
	Rondelle G 1/8	3779261	15	Ensemble tube électrovanne AS	<i>Bulletin n°20</i>
6	Bouchon acier G 1/4	3779191	16	Électrovanne complète AS	<i>Bulletin n°20</i>
	Bouchon acier G 1/8, sans rondelle	3779835	17	Kit de conversion AS→AN	991400
7	Bouchon plastique G 1/4	3729744TR			
	Bouchon plastique G 1/8	3773569TR			

# BULLETIN N° 20

## Solenoid kits for SUNTEC pumps

*These references are also valid for "V" models.*

Pump type	Voltage	Coil	Tube assy (tube + screws + nut + washer + O-rings)	Solenoid kit (coil + tube assy)
<b>AS</b>	220-240 V ; 50/60 Hz	3713871SAV	991430	991435 <sup>(1)</sup>
	110-120 V ; 50/60 Hz	3713824	991430	991431 <sup>(1)</sup>
	24 V ; 50/60 Hz	3713823	991430	991432 <sup>(1)</sup>
<b>AL*</b> rev. 2, 4, 5, 6	220-240 V ; 50/60 Hz	3713871SAV	991502	3713871SAV + 991502
	110-120 V ; 50/60 Hz	3713824	991502	3713824 + 991502
	24 V ; 50/60 Hz	3713823	991502	3713823 + 991502
<b>ALE</b>	220-240 V ; 50/60 Hz	3713871SAV	991600	3713871SAV + 991600
<b>AU AR/A2L</b>	220-240 V ; 50/60 Hz	3713871SAV	991502	3713871SAV + 991502
<b>AP</b>	220-240 V ; 50/60 Hz	3713871SAV	991450	991455 <sup>(1)</sup>
<b>AP 2/3</b>	220-240 V ; 50/60 Hz	3713871SAV	991430	991488 <sup>(2)</sup>
<b>AT 2/3*</b> rev. 2, 4, 6	220-240 V ; 50/60 Hz	3713871SAV	991503 <sup>(2)(3)</sup>	3713871SAV + 991503 <sup>(2)(3)</sup>

\* : tube assy for AL rev.1 and AT 2/3 rev.1 is no more available.

<sup>(1)</sup>: this kit includes the plate.

<sup>(2)</sup>: this kit contains 2 plates (only one plate must be fitted according to the pump configuration).

<sup>(3)</sup>: this kit contains 2 tube assemblies.

# BULLETIN N° 21

## Strainer for Suntec pumps

*These references are also valid for "V" models.*

Pump type	Strainer reference
<b>AN / AE / AS / AP 47 / 57 / 67</b> Series 7000 - rev. 3, 4, 5, 6 Series 1000 - rev. 1, 4, 5, 6	991530 (height 20 mm)
Series 7000 - rev. 2	3715732 (height 28 mm) <i>(only for pumps manufactured after 1988)</i>
<b>AN / AE 77 / 97</b> Series 7000 - rev. 3, 4 / Series 1000 - rev. 1, 6	3715750 (height 23 mm)
Series 7000 - rev. 2	3715732 (height 28 mm) <i>(only for pumps manufactured after 1988)</i>
<b>AL / ALE / A2L / AR 35 / 55 / 65</b>	991530 (height 20 mm)
<b>AL / ALE / A2L / AR 75 / 95</b>	3715750 (height 23 mm)
<b>AU</b>	991530 (height 20 mm)
<b>AP2 / AT2 / AP3 / AT3 45 / 55 / 65</b>	991530 (height 20 mm)
<b>AP2 / AT2 75 / 95</b>	3715750 (height 23 mm)
<b>D rev. 3</b>	3715747 (height 28 mm)
<b>AJ</b>	271027
<b>J</b>	134423
<b>E 1001</b>	134423 (type "C") or 134433 (type "N")
<b>E 1069</b>	134433

SB21-GB / Ed.16 - 08/01/2018

SUNTEC INDUSTRIES FRANCE

1, rue Lavoisier - CS 60102 - F-21603 LONGVIC Cedex

Tel.: +33 (0)3 80 70 60 70 - Fax: +33 (0)3 80 70 61 11

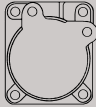
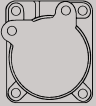
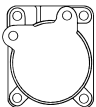
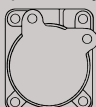
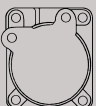
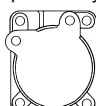
e-mail: [information@suntec.fr](mailto:information@suntec.fr) - [www.suntec.fr](http://www.suntec.fr)



# BULLETIN N° 34

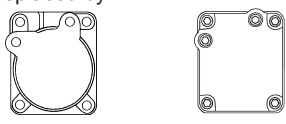
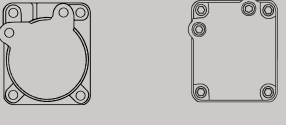
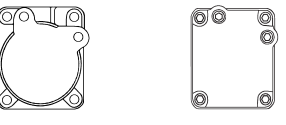
## Cover kits for Suntec pumps

These references are also valid for "V" models.

Pump type	Kit reference	Contents
<b>AN / AE / AS / AP</b> <b>47 / 57 / 67</b> revision 1, 3, 4, 5, 6 (low cover)	Not available, replaced by → <b>991527</b> rot.: A/D 	cover + fixing screws + filter + cover gasket + pressure gauge port screw + vacuum gauge port screw
	Not available, replaced by → <b>991528</b> rot.: B/C 	cover + fixing screws + filter + cover gasket + pressure gauge port screw + vacuum gauge port screw
<b>AN / AE</b> <b>77 / 97</b> revision 3, 4, 5, 6 (high cover)	Not available, replaced by → <b>991509</b> rot.: B/C 	cover + fixing screws + filter + cover gasket + pressure gauge port screw + vacuum gauge port screw
<b>AP2 / AP3 / AT2 / AT3</b> <b>45 / 55 / 65</b> revision 1, 2, 4 (low cover)	Not available, replaced by → <b>991527</b> rot.: A/D 	cover + fixing screws + filter + cover gasket + pressure gauge port screw + vacuum gauge port screw
	Not available, replaced by → <b>991528</b> rot.: B/C 	cover + fixing screws + filter + cover gasket + pressure gauge port screw + vacuum gauge port screw
<b>AP2 75 / 95</b> revision 1, 4 <b>AT2 75 / 95</b> revision 2, 4 (high cover)	Not available, replaced by → <b>991509</b> rot.: B/C 	cover + fixing screws + filter + cover gasket + pressure gauge port screw + vacuum gauge port screw

1/2

SB34 - GB / Ed.15 - 08/01/2018

Pump type	Kit reference	Contents
<b>AU 47</b> <b>AL / ALE / A2L / AR</b> <b>35 / 55 / 65</b> revision 1, 2, 4, 5, 6 (low cover) except <b>A2L 35D 9709</b>	Not available, replaced by → <b>991528</b> 	cover + fixing screws + filter + cover gasket + pressure gauge port screw + vacuum gauge port screw
<b>AL / ALE / A2L / AR</b> <b>75 / 95</b> revision 2, 4, 5, 6 (high cover)	Not available, replaced by → <b>991509</b> 	cover + fixing screws + filter + cover gasket + pressure gauge port screw + vacuum gauge port screw
<b>A2L 35D 9709</b>	Not available, replaced by → <b>991527</b> 	cover + fixing screws + filter + cover gasket + pressure gauge port screw + vacuum gauge port screw
<b>AJ</b>	<b>991477</b>	cover + fixing screws + filter + cover gasket
<b>J</b>	<b>991469</b>	cover + fixing screws + filter + cover gasket
<b>E 1001 / E1069</b> <b>NA, NB, NC, ND</b>	<b>991470</b>	cover + fixing screws + filter type "N"+ cover gasket

# BULLETIN N° 58

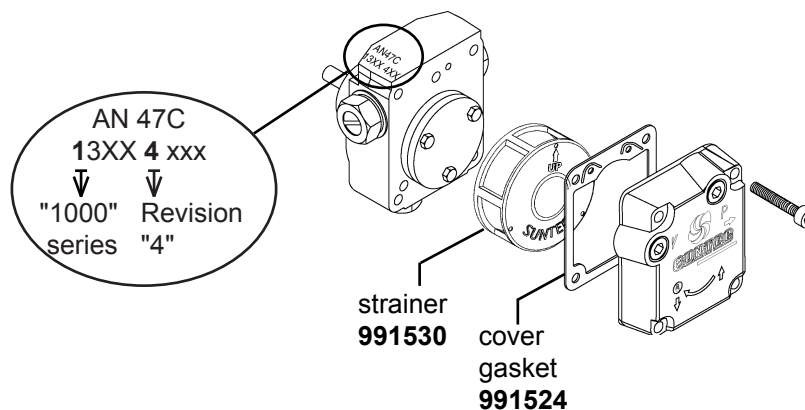
## Cover gasket and strainer for "A" pumps

*These references are also valid for "V" models.*

### Pumps with "square" cover

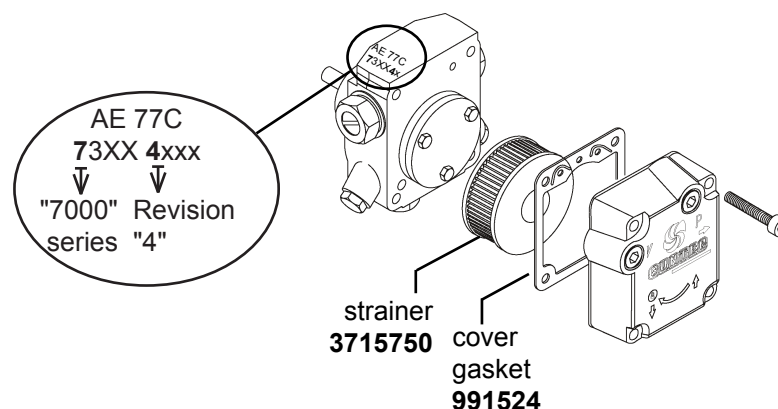
#### Pumps with low cover :

AN/AE/AS/AP	47/57/67	7000 series - revision 4/6, 1000 series - revision 4/6.
AL/ALE/AT2	35/45/55/65	9000 series - revision 4 and 6.
A2L/AP2/AP3/AT3/AR	35/45/55/65	9000 series - revision 4.
AU		revision 6.



#### Pumps with high cover :

AN/AE	77/97	7000 series - revision 4, 1000 series - revision 6.
AL/AT2	75/95	9000 series - revision 4 and 6.
A2L/AP2/AR	75/95	9000 series - revision 4

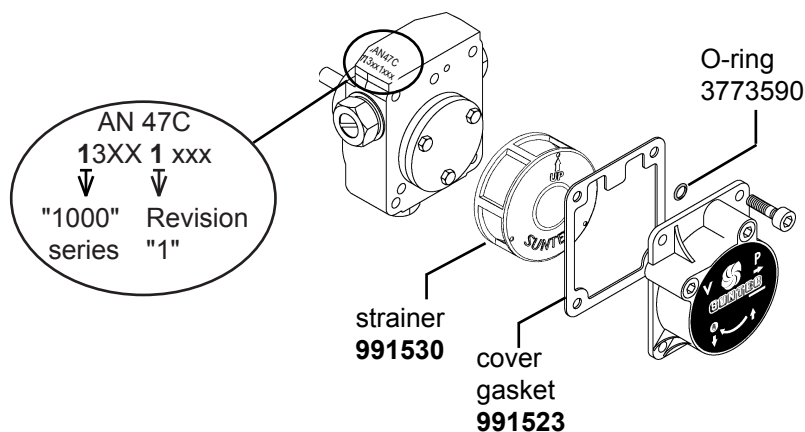


**WARNING :** Cover gasket ref. 991524 is *specific to pumps with square cover (without pressure port O-ring)* and is not interchangeable with gasket ref. 991523 (gasket for pumps with round aluminium cover).

## Pumps with "round" cover

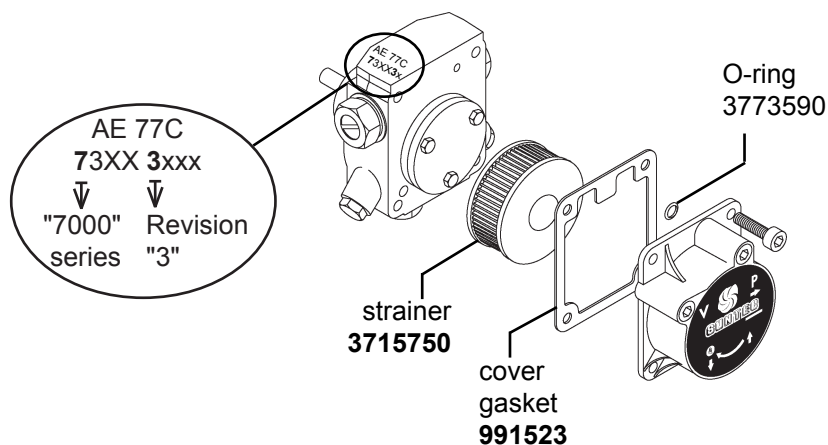
### Pumps with low cover :

AN/AE/AS/AP	47/57/67	7000 series - revision 3/5, 1000 series - revision 1/5.
AL/ALE/A2L/AR	35/45/55/65	9000 series - revision 1, 2 and 5.
AP2/AT2/AP3/AT3	35/45/55/65	9000 series - revision 1, 2 and 5.
AU	revision 2.	



### Pumps with high cover :

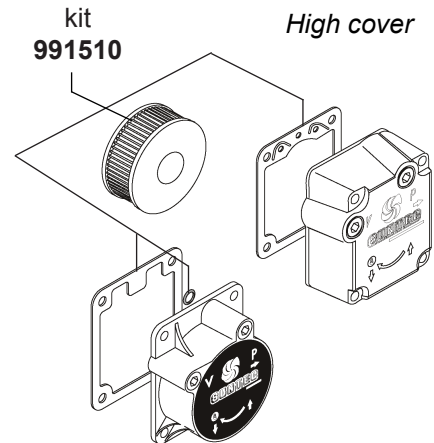
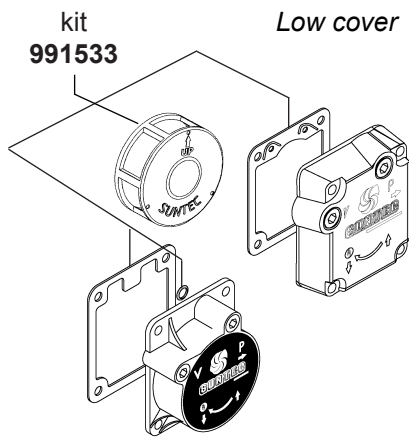
AN/AE	77/97	7000 series - revision 3 and 5.
AL/A2L/AR/AT2	75/95	9000 series - revision 2 and 6.
AP2	75/95	9000 series - revision 1





## After sales kits

These kits could be used either for "square" cover or "round" cover.



Kit 991533 consists of :

- one strainer ref.991530,
- two cover gaskets ref. 991523 and 991524,
- one O-ring for pressure port ref.3773590.

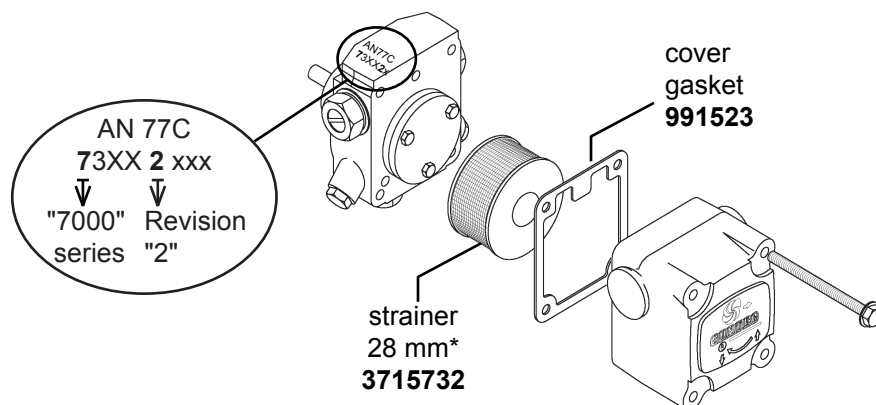
Kit 991510 consists of :

- one strainer ref. 3715750,
- two cover gaskets ref. 991523 and 991524,
- one O-ring for pressure port ref.3773590.

## Pumps with cast iron or aluminium cover

Pumps concerned are as follows :

AN/AE/AS/AP	47/57/67	7000 series - revision 2.
AN/AE	77/97	7000 series - revision 2.



\* this strainer can only be used for pumps manufactured after 1988.